

AURORALIGHT

PROJECT: _____

SKU #: _____

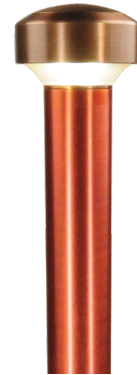
TYPE: _____

SCEPTER

PTA625102

The Scepter module is precisely engineered to transfer heat away from the LED driver/circuit and dissipate throughout the luminaire, ensuring optimal performance, color consistency, and long life.

- Thermally Integrated® field serviceable LED module
- Field replaceable, UV & shock resistant acrylic lens
- Solid brass and copper construction
- Ideal for planters, pathways and gardens



CONFIGURATOR:

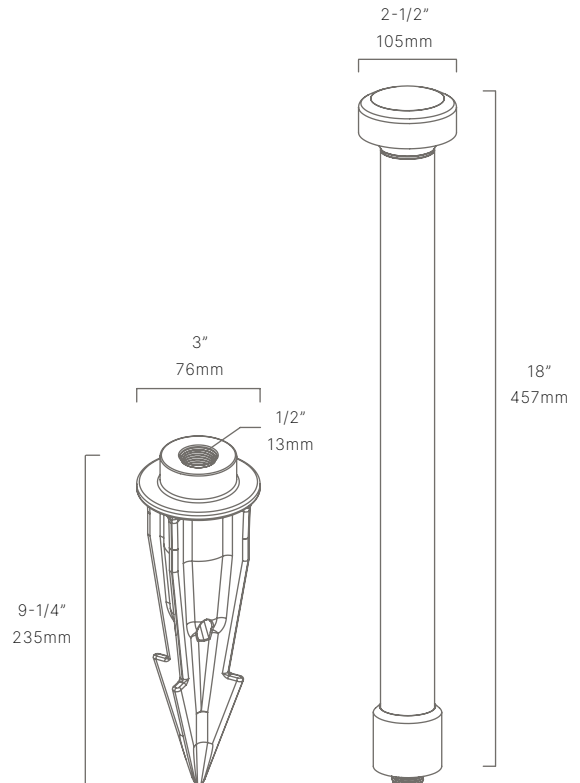
PTA625102	LED	FINISH
	<input type="checkbox"/>	<input type="checkbox"/>
() = Most common configuration	(2705) 2700K 5W (3005) 3000K 5W	(NAT) Natural Brass (BLP) Bronze Living Patina (BLPX) Extra Dark BLP (NI) Nickel PVD

AVAILABLE FINISHES:

NAT Natural Brass/ Copper	BLP Bronze Living Patina	BLPX Extra Dark Bronze Living Patina	NI Nickel PVD

FIXTURE DIMENSIONS	L2-1/2" x H18"
LIGHT SOURCE	Integrated LED
COLOR TEMPERATURES	2700K, 3000K
WATTAGES	5W
CRI (RA)	80 CRI
VOLTAGE	12V
DELIVERED LUMENS	186lm (3000K)
DIMMABLE	Yes, Dim to <10% via Transformer
DRIVER	Yes, 12V Integral Constant Current
TRANSFORMER	No, 12V AC/DC Transformer Required
MOUNT	Yes, Included 1/2" NPS Adapter
GROUND STAKE	Yes, Included MGS001109
FINISH	Included Natural
MATERIAL	Brass & Copper
WIRE LENGTH	24"
LOCATION	Exterior Wet
CERTIFICATIONS	UL, IP66, IP67, Dark Sky

*For complete warranty terms, please visit: www.auroralight.com/warranty/



P. 760.931.2910

O. 2742 Loker Ave. W Carlsbad CA 92010

W. www.auroralight.com

MADE IN USA
WITH DOMESTIC & IMPORTED MATERIALS



AURORALIGHT

PROJECT: _____

SKU #: _____

TYPE: _____

ADD-ONS

MOUNTS

MGS001510	Ground Stake w/ 2" Brass Cap
MGS001612	Ground Stake w/ 3" Brass Cap
MGS001712	Ground Stake w/ 3-1/4" Brass Cap
MGS005109	9" Deluxe Spike
MGS005212	12" Trident Spike
MJB002303	3" Junction Box w/ PVC Stake
MPM003104	Concrete Pedestal Mount
MSM189102	2" Surface Mount
MSM189203	3" Surface Mount

*For complete details, please visit auroralight.com/mounts/

